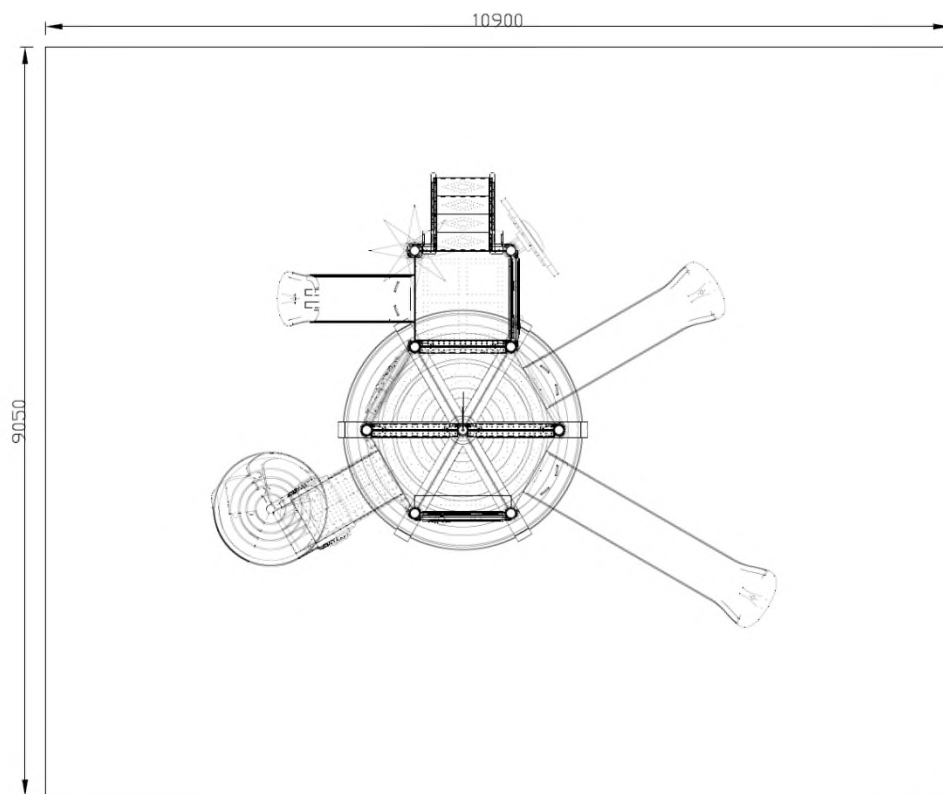
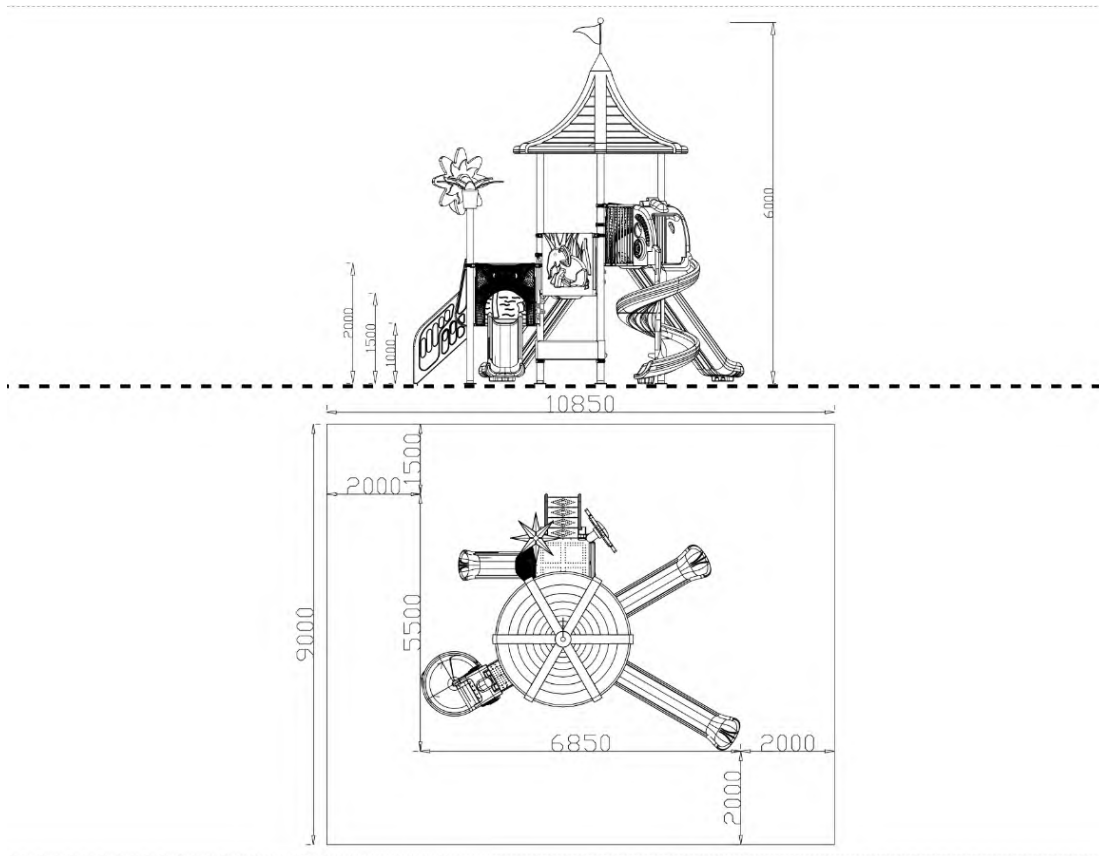


Model 1



Model 2

